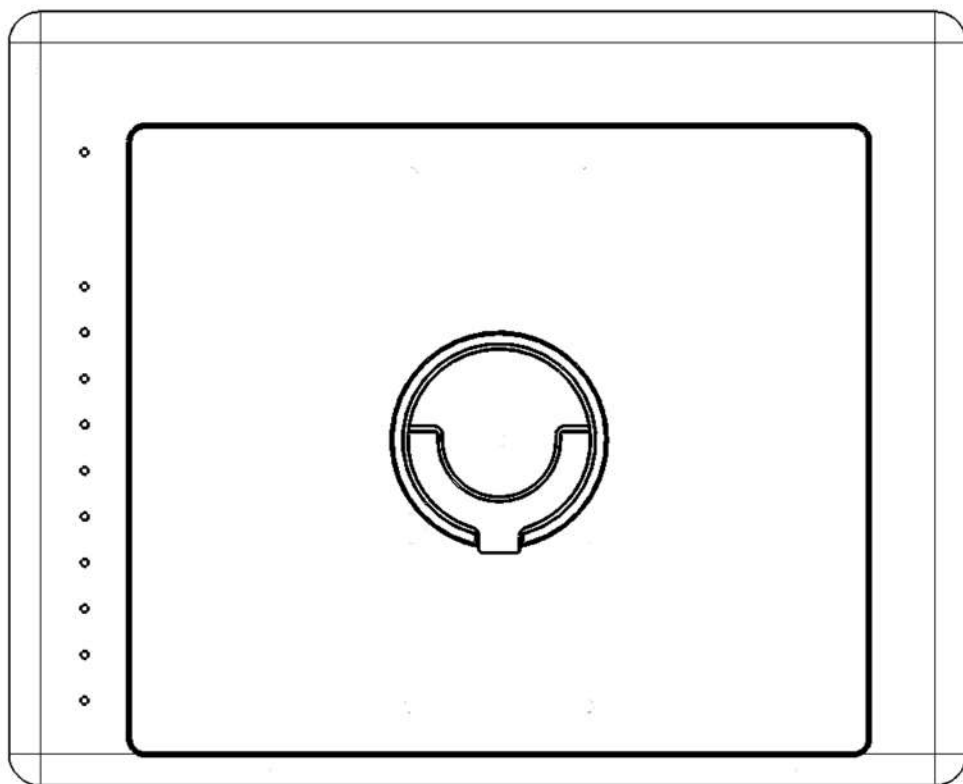


# FIVSQ



INSTRUCTION MANUAL  
使用说明书

产品尺寸: 125x100x28 mm

重量: 350g (机身&遮光刀), 517g (带前盖整体)

材质: 航空铝合金7075+6061, ABS&PC

电池: 内置锂电 650mAh 3.7V

USB Type-c 充电: 5V输入

内含清单:

HVSQ主机/保护前盖/遮光刀

Size: 125x100x28 mm

Weight: 350g(body & dark slide), 517g(with cover)

Material: 7075 & 6061 aluminum alloy, ABS & PC plastic

Lithium battery: Built-in 650mAh 3.7V

USB Type-c charge: 5V only

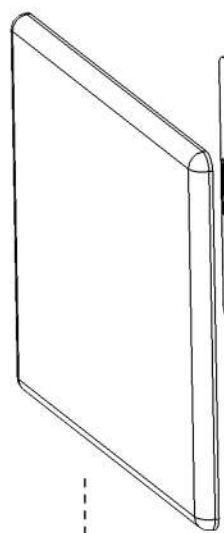
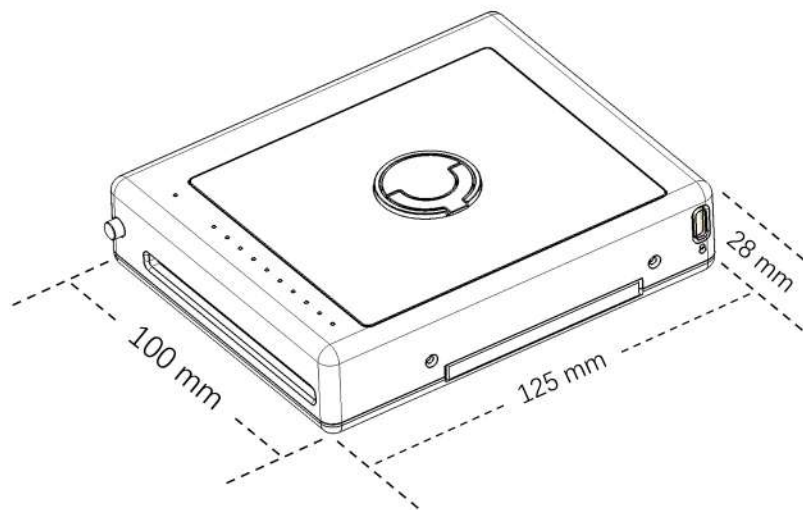
Packaging contains:

HVSQ Body/Cover Cap/Dark Slide

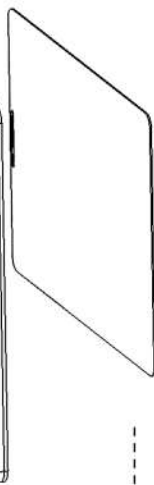
中国制造

相关专利及商标归10ARTCC所有

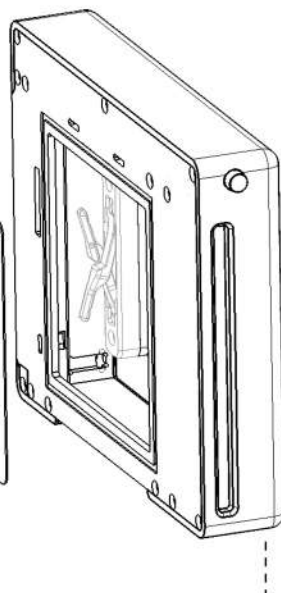
Designed and Manufactured by 10ARTCC in CHINA



保护前盖  
Cover Cap

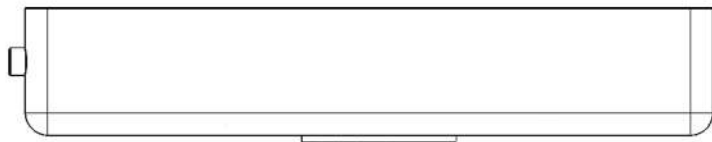


遮光刀  
Dark Slide

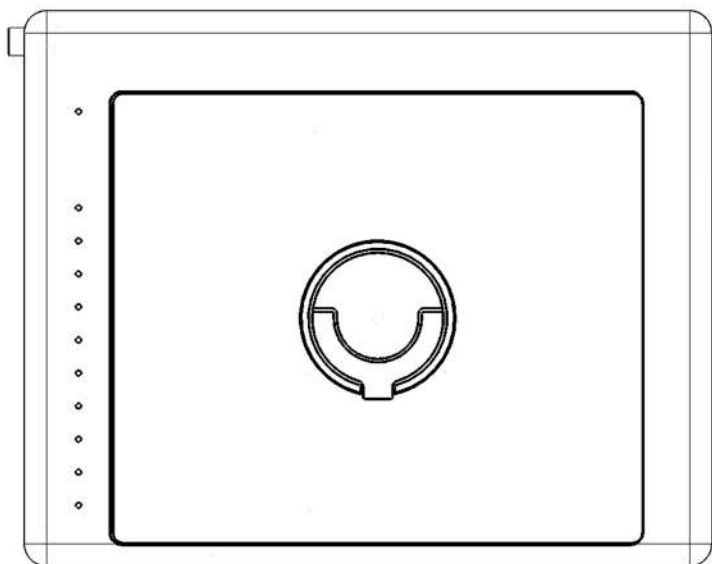


HVSQ主机  
HVSQ Body

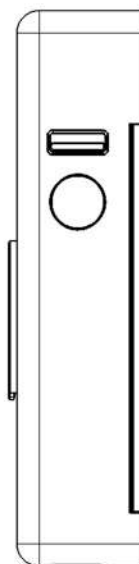
安装固定&解锁按钮  
HVSQ lock/release button



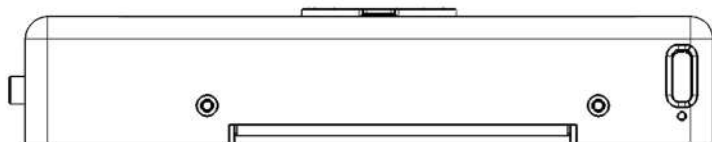
相纸出口  
Film  
ejection slot



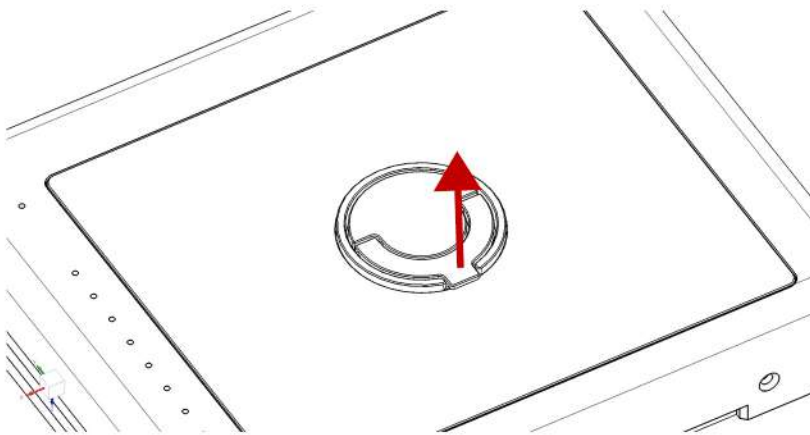
电源开关  
Power switch  
出片按钮  
Film  
ejection button  
遮光刀插口  
Dark slide slot



USB Type-c 充电口  
USB Type-c charging port

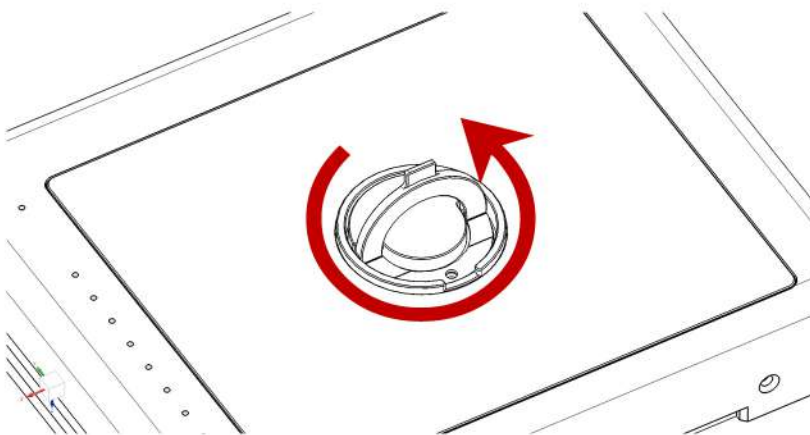


安装固定槽  
Lower locking slot



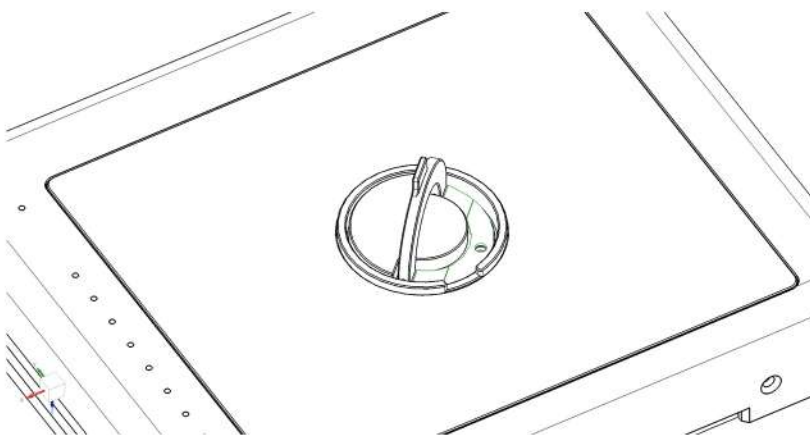
后盖开启方法

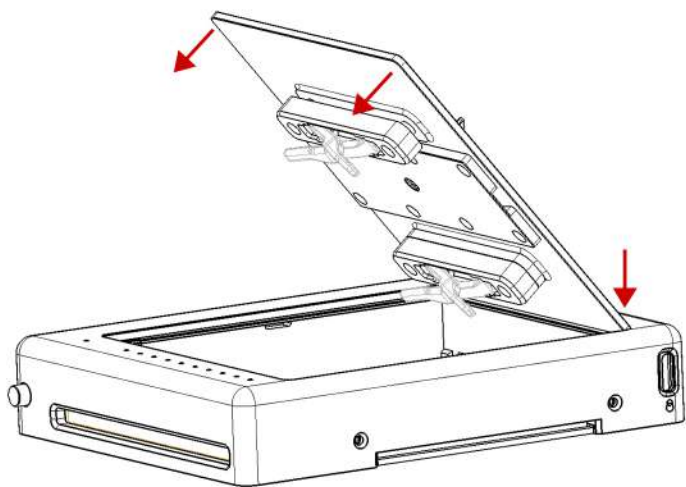
抠出把手  
逆时针旋转  
提起后盖



How to open rear cover

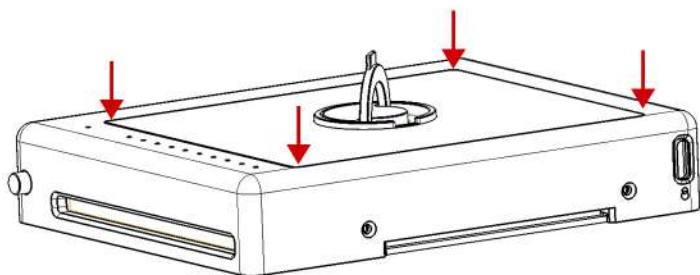
Fold out the holder key  
Turn the key counter-clockwise  
Lift up rear cover





### 放入胶片盒合盖方法

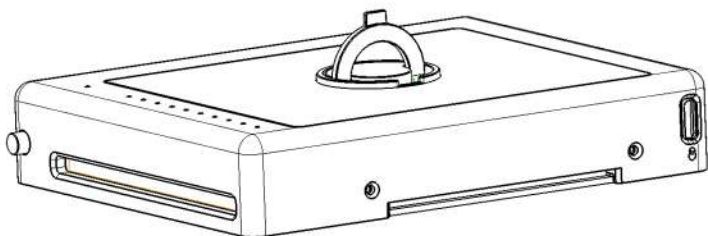
将后盖一条边抵在对应的侧边槽上  
顺着垂直的两条槽将后盖合上  
以保证两个弹簧都被压在准确的位置  
顺时针方向转动旋钮以锁紧后盖

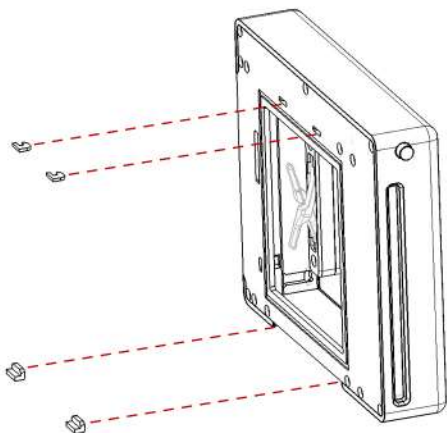


How to close rear cover after film loading

Lean one edge of rear cover against  
corresponding side slot  
close the cover alongside vertical slots  
to ensure both springs  
being pressed on correct positions

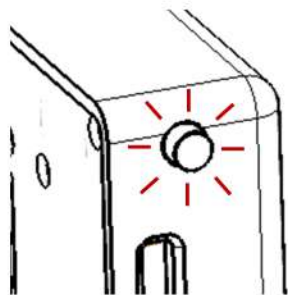
turn the holder key clockwise to lock the rear cover



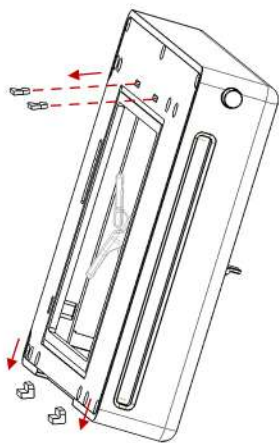


### 哈苏机身安装方法

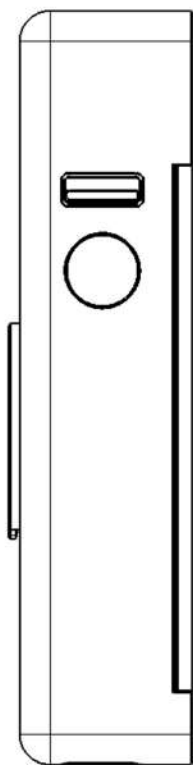
将HVSQ底部与机身底部钩子对齐  
将机身钩子插入HVSQ底部的槽内  
按着解锁按钮，与机身贴合完整  
机身上部的钩子会进入固定槽内  
松开按钮以锁定与机身的连接



### Attaching the film back



Locate the film back fully on the lower support hooks,  
hold the lock/release button whilst swinging the film back  
into contact with the camera's rear plate,  
make sure upper hooks on the camera enter the locking slots.  
Release the button,  
ensuring that it returns to the left-locked position.



电源开关 Power switch



关 off

开 on



\*在不使用时请关闭，以防误触

\*Please turn it off when not in use  
to prevent accidentally touching



出片按钮

Film ejection button



遮光刀-插入位

Dark slide slot



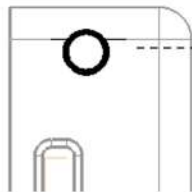
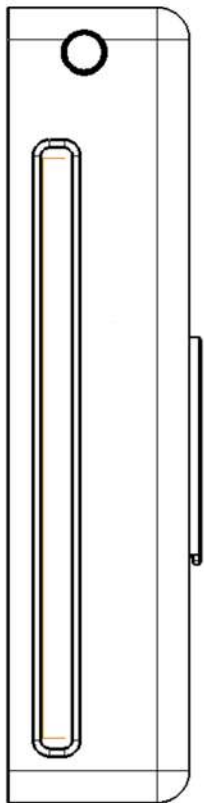
\*仅在有底片未拍完需要更换后背时使用

\*\*不要在插入遮光刀时进行吐片操作

\*Only use dark slide when you need to  
remove the back with film unfinished,

\*\*Do not press film ejection button with dark slide in





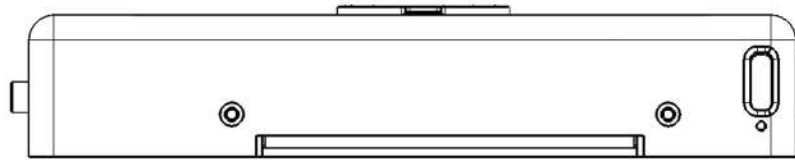
安装固定&解锁按钮  
lock/release button



相纸出口  
Film ejection slot

\*出片过程请勿扯拽相纸

\*Do not pull the film during ejection.



----- USB Type-c 充电口    USB Type-C charging port

----- 充电指示灯 及 电池安全口    Charging indicator  
and pressure relief valve for battery

\*红灯-充电

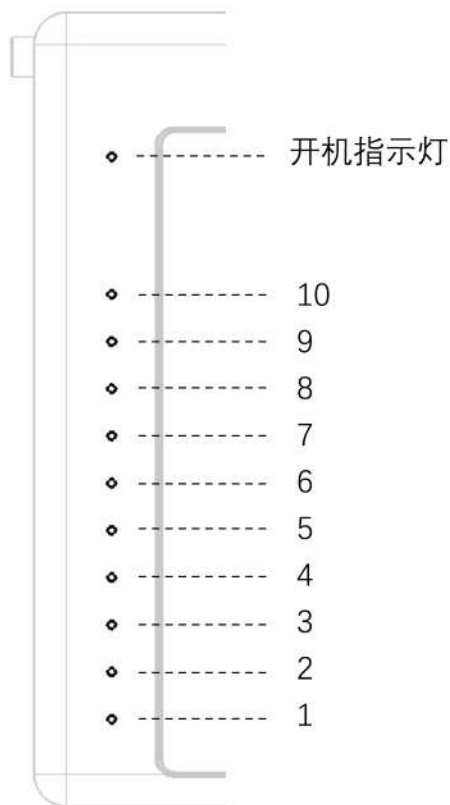
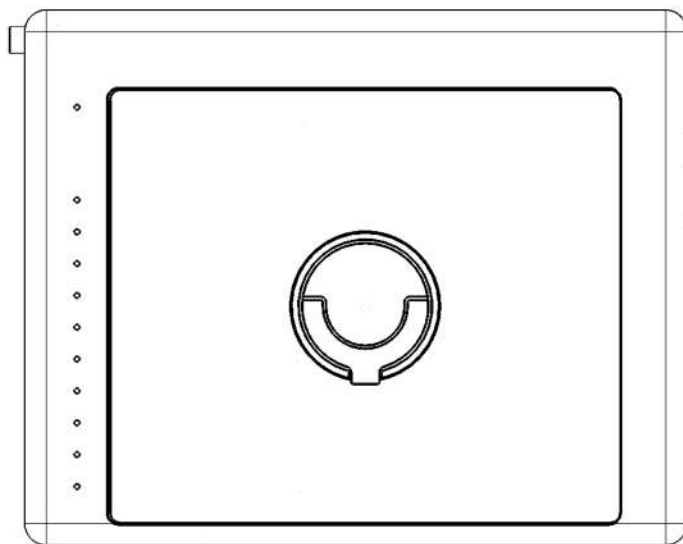
\*Red-charging

\*绿灯-充满

\*Green-done

仅限5V输入，请勿使用大功率充电器

5V Only! Do not use fast charger.



### 计数灯自动运行

\*如果在拍摄过程中因特殊原因，数字与实际剩余不符  
在led全部亮完后，关机重开可复位继续拍摄。

### Automatic frame counter LED

For some special occasions, the LED might indicates  
all films ejected while there are still some left.

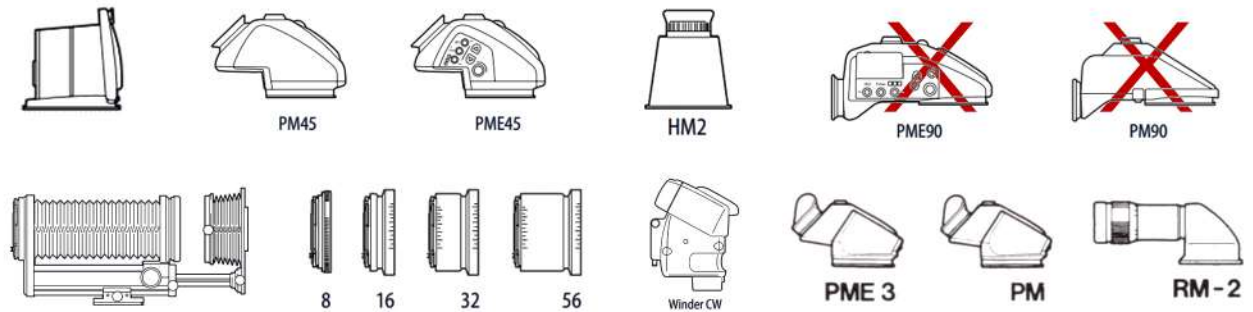
Just turn the back off and on again,  
then the indicator will return to 10 frames  
and you can continue shooting.

支持列表  
support list

机身 Body



配件 Accessories



10ART.CC<sup>®</sup> DESIGN

更多信息

官网: [www.10art.cc](http://www.10art.cc)

邮件: [i@10art.cc](mailto:i@10art.cc)

微信官方: 10ARTCC

More info

WEB:[www.10art.cc](http://www.10art.cc)

email:[i@10art.cc](mailto:i@10art.cc)

# HV5Q

